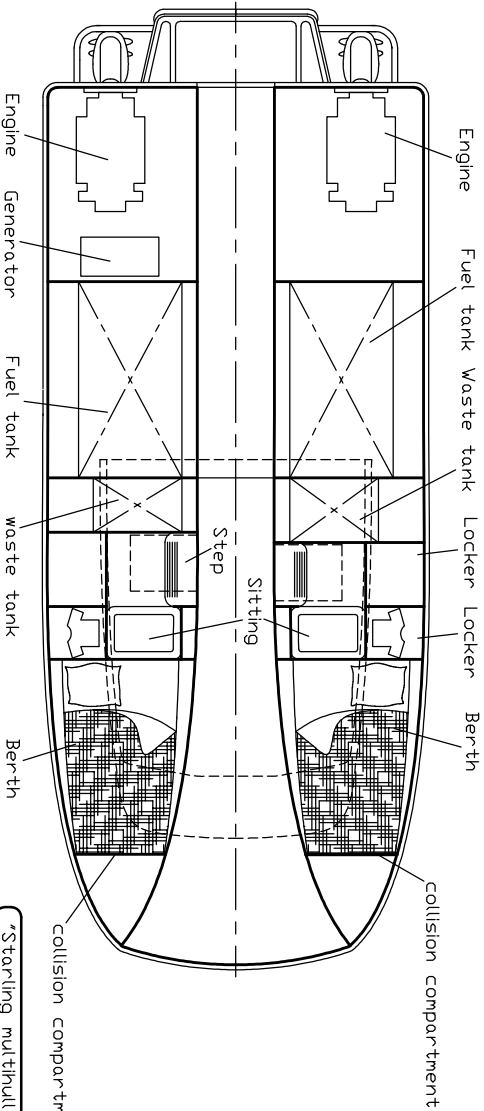
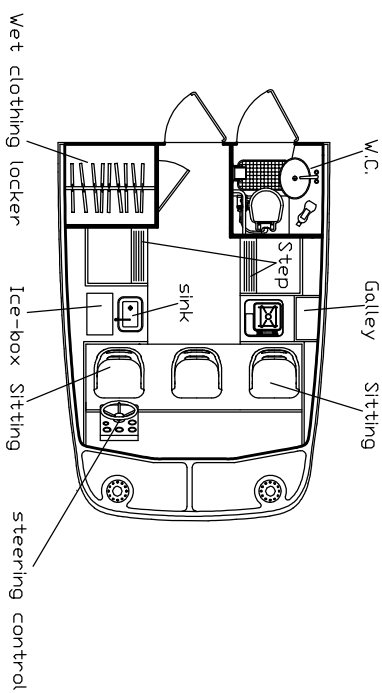
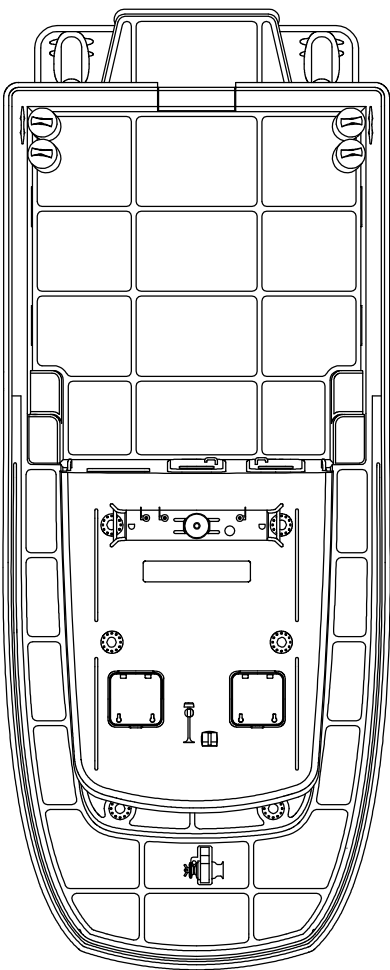
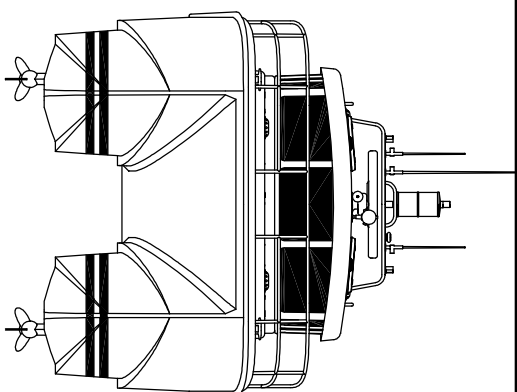
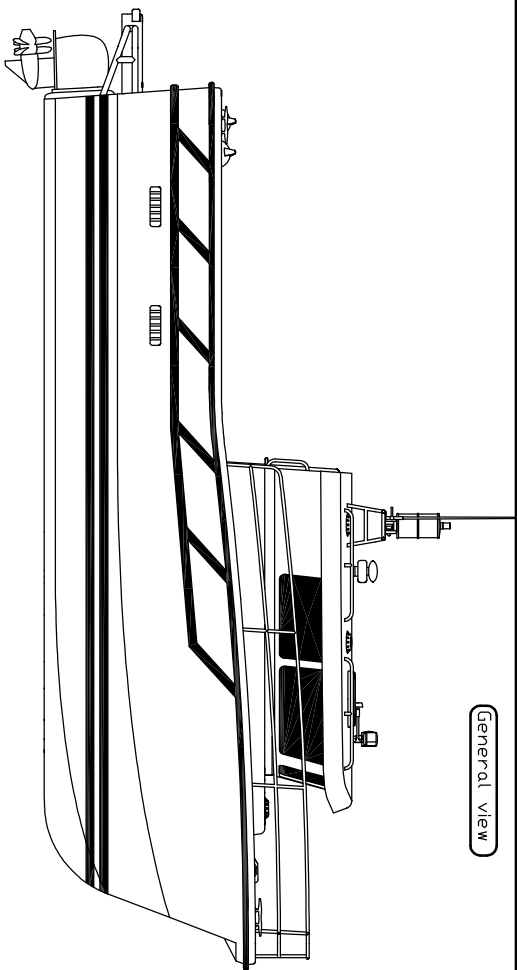


General view



PRINCIPAL DIMENSIONS

LENGTH OVER ALL	9.0m
BEAM MAX	4.0 m
DRAFT (CWL)	0.3 m
DISPLACEMENT (Light)	3200 kg
PAY LOAD MAX	2500 kg
ENGINE POWER	135x2 hp
HULL MATERIAL	GRP
GENERATOR	3 kw/t
WATER	100 l
FUEL	800 l
CREW	3