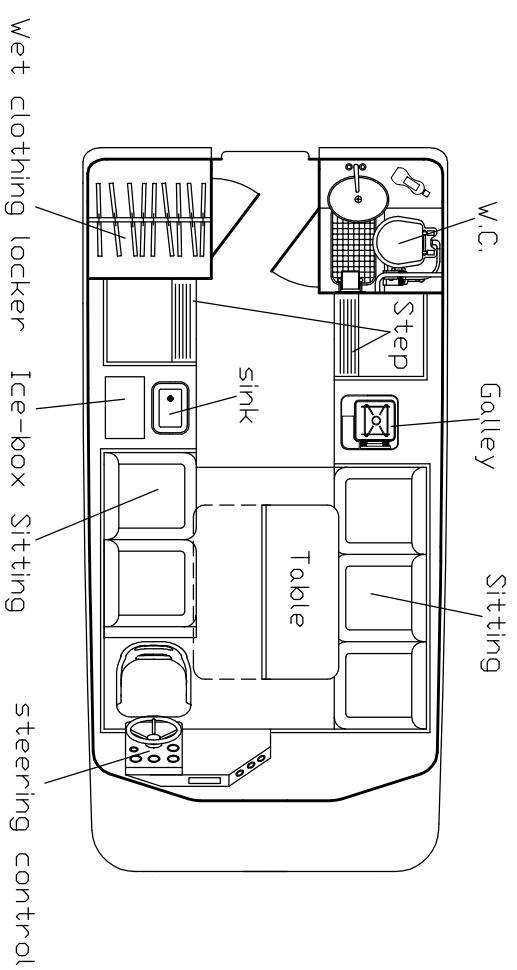
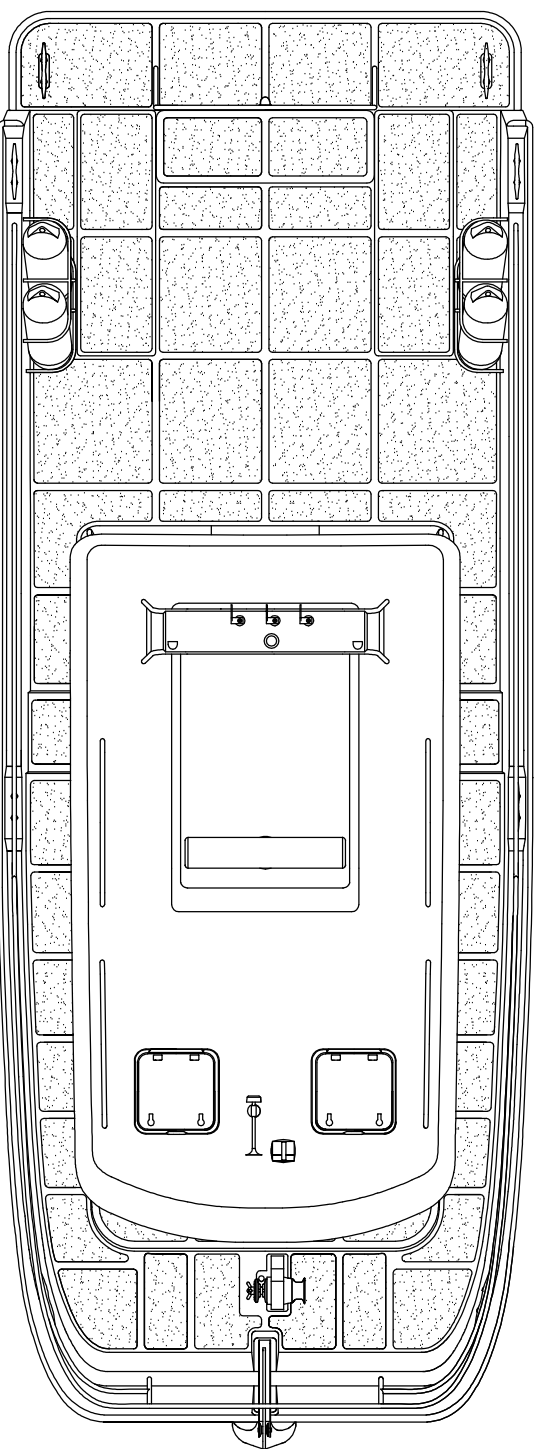
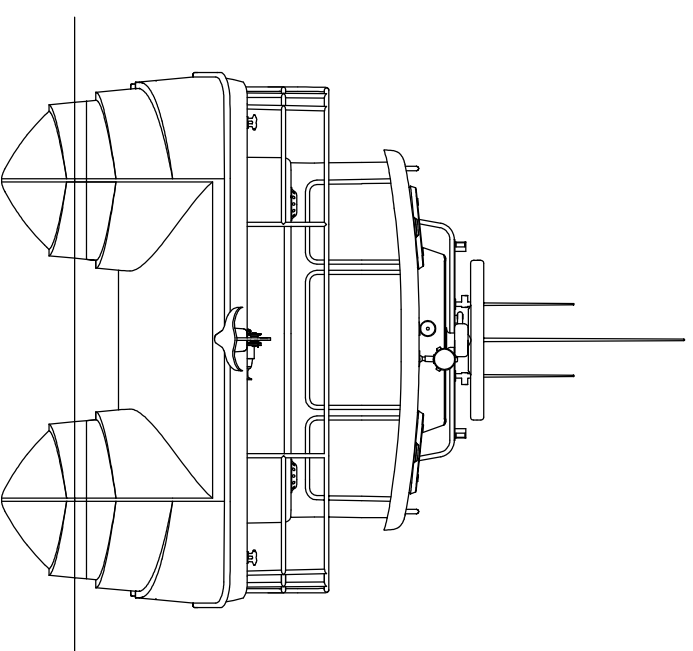
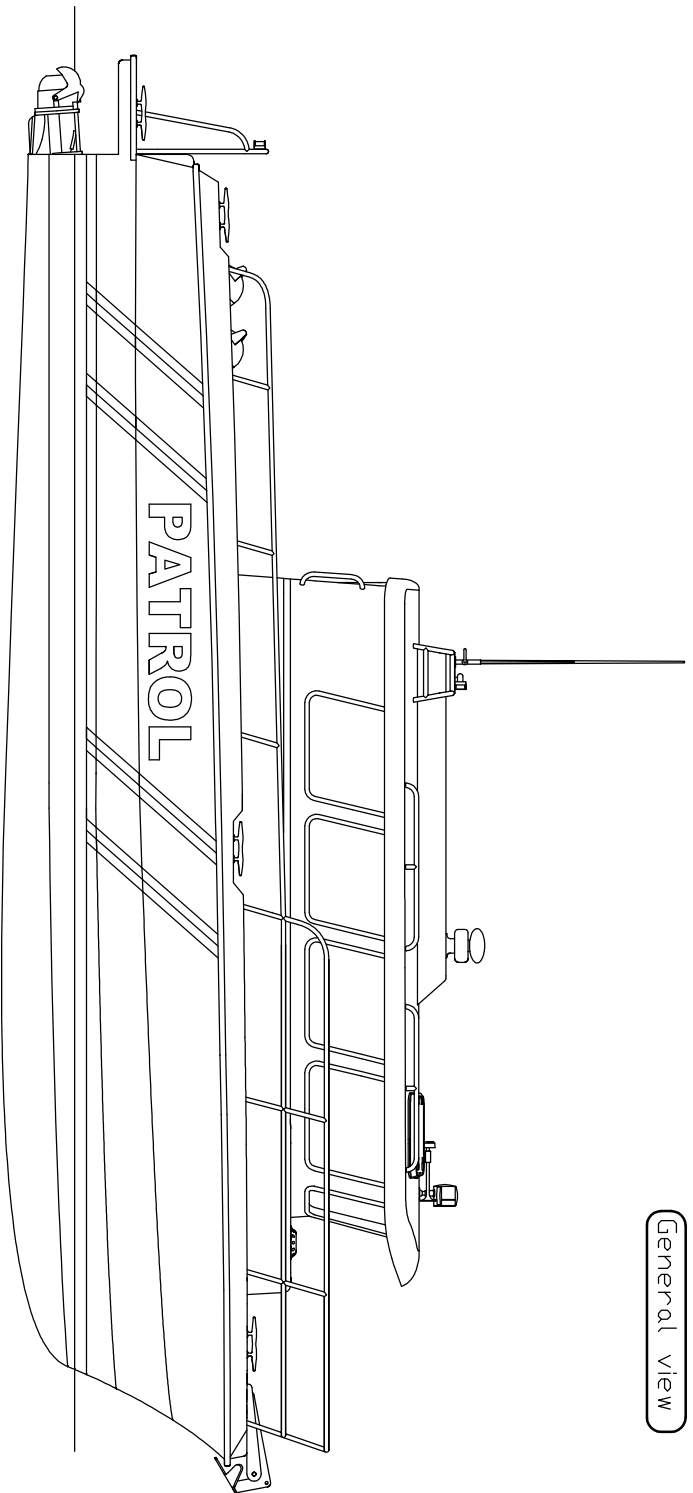
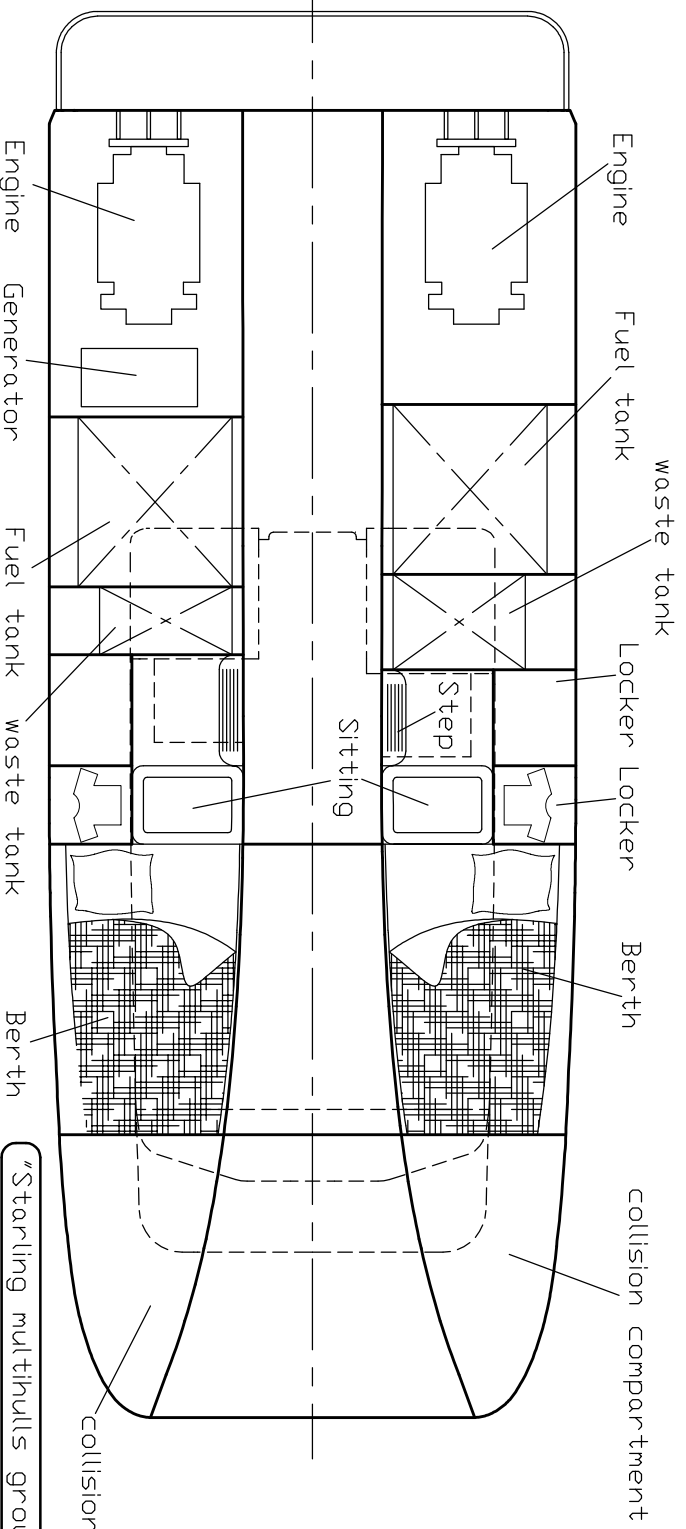


General view



PRINCIPAL DIMENSIONS

LENGTH OVER ALL	10.0m
BEAM MAX SPONSONS	1.3m
BEAM MAX	4.4 m
DRAFT (CWL)	0.6 m
DISPLACEMENT (Light)	5000 kg
ENGINE POWER	135x2 hp
HULL MATERIAL	GRP
GENERATOR	3 kW/t
WATER	200 l
FUEL	800 l
PASSENGERS	6



"Starling multihulls group Ltd" Design # 4 Power catamaran "Patrol-Big roof"

Scale 1:50