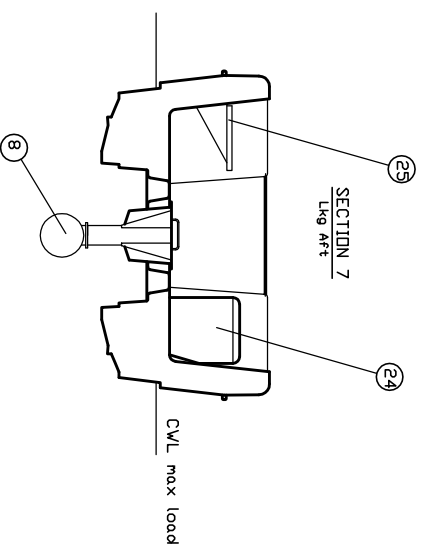
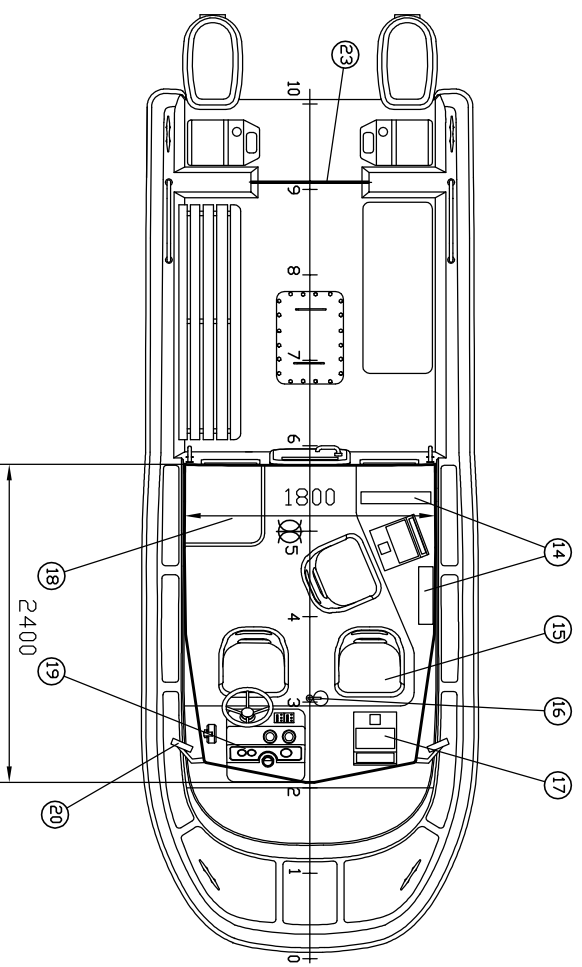


SECTION 5
Lkg Aft

PLAN WITHOUT PILOTHOUSE



SECTION 7
Lkg Aft

PRINCIPAL DIMENSIONS

LENGTH ON DECK	6.40 m
LENGTH WATERLINE	5.50 m
BEAM MAX	2.45 m
DRAFT (max load)	450 mm
DISPLACEMENT (max load)	2900 Kg
FUEL	180 l
WATER	60 l
DUTBOARD ENGINE POWER	2x90 hp
HULL MATERIAL	FIBERGLASS
MAX LOAD	800 Kg
DESIGN CATEGORY	C

Item Nbr	Name	Comment
1	Dutboard engine 2x90 hp	
2	Cleat	
3	Hand rail	
4	Scanner	
5	Triangular pod	
6	Fence	
7	Fuel tank 25 L	
8	Sonar system	
9	Non-slip coating	
10	Rubber block	
11	Ventilating cap	
12	Horn	
13	Headlight	
14	Special hydrographic equipment	
15	Seat	
16	Fire extinguisher	
17	Notebook	
18	Galley	
19	Steering consol	
20	Rear-view mirror	
21	Locker	
22	Locker	
23	Guard chain	
24	Generator 3 Kw.t	
25	Folding seat	



6400-020-001GV		Letter	Weight	Scale
SEA WORKER 6400				
hydrograph				1:40
General View		Sheet	Total sheet	1
Chg Sheet	Document	Signature	Date	
Design				
Checked by				
STARLING MULTIHULLS		STM-boats Oy Ltd		