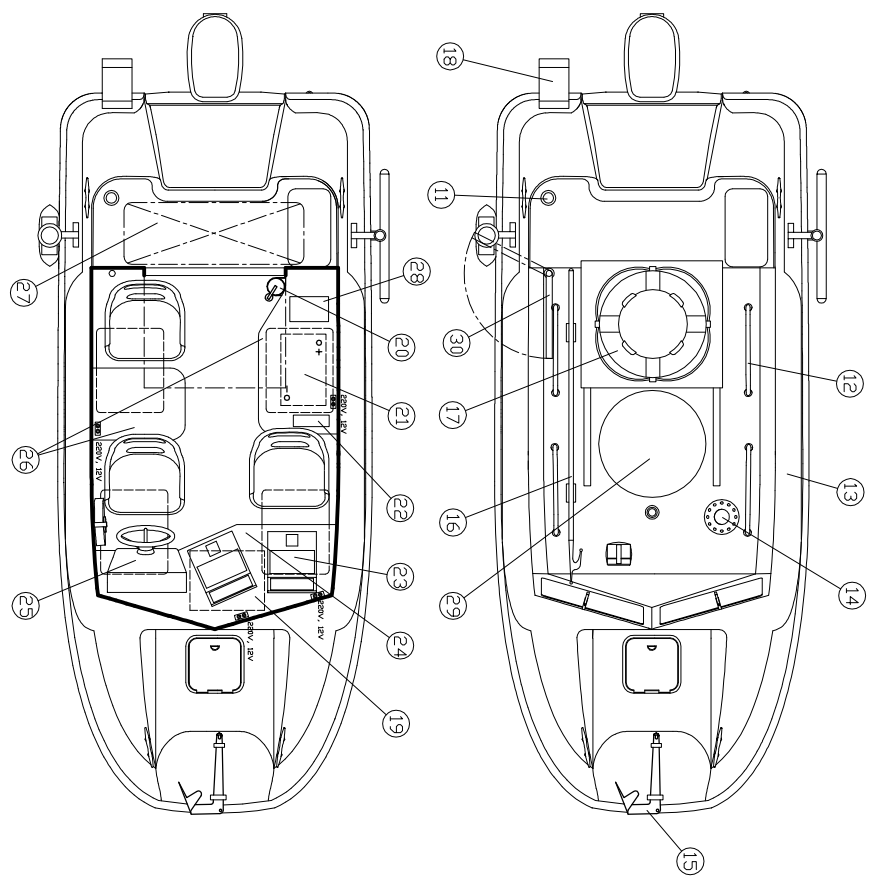


PRINCIPAL DIMENSIONS

LENGTH ON DECK 4.72 m
 LENGTH WATERLINE 3.90 m
 BEAM MAX 2.10 m
 DRAFT (CWL) 200 mm
 DISPLACEMENT (LIGHT) 500 kg
 OUTBOARD ENGINE POWER 50-90 hp
 HULL MATERIAL FIBERGLASS
 MAX LOAD 500 kg



Num.	Name
1	Outboard engine
2	Generator 1.8 - 2.5 Kw
3	GPS antenna
4	Navigation lights
5	Headlight
6	Windscreen wiper
7	Spar of SIMRAD transducer
8	SIMRAD transducer
9	Side looking transducer spar
10	Side looking transducer
11	Fuel filter neck
12	Hand rail
13	Catwalk
14	Ventilation
15	Anchor 7 kg
16	Boat hook
17	Life buoy
18	Outboard engine bracket
19	Echo sounder EA 400 SP
20	Fire extinguisher
21	Accumulator
22	Electrical inverter
23	Notebook
24	Table
25	Steering control
26	Table
27	Fuel tank
28	Heater
29	Calibration disk
30	Davit for calibration disk